

MARINE ELECTRIC RADIATORS

RAEL RANGE



The RAEL range of electric radiators, Bureau Veritas certified, are specially designed for marine applications.

Supplied in 24V DC, 230V or 400V AC single phase, they can be equipped with an adjustable thermostat.

Bureau Veritas certificate of type approval n° 02153 BV



STANDARD RANGE

DESCRIPTION	ITEM CODE	SUPPLY VOLTAGE	POWER (W)	THERMOSTAT	TYPE OF CASE	WEIGHT
24 VDC RANGE						
RAEL 24-500 TH	SEEL001021	24Vcc	500	Avec	CFR1	8 kg
230 VAC SINGLE PHASE RANGE						
RAEL 220-500 TH	SEEL000574	230Vca	500	Avec	CFR1	8 kg
RAEL 220-750 TH	SEEL000836	230Vca	750	Avec	CFR2	9 kg
RAEL 220-1000 TH	SEEL000576	230Vca	1000	Avec	CFR3	10 kg
RAEL 220-1500 TH	SEEL000578	230Vca	1500	Avec	CFR4	12 kg
RAEL 220-2000 TH	SEEL000580	230Vca	2000	Avec	CFR5	15 kg
400 VAC SINGLE PHASE RANGE						
RAEL 380-500 TH	SEEL000837	400Vca	500	Avec	CFR1	8 kg
RAEL 380-750 TH	SEEL001007	400Vca	750	Avec	CFR2	9 kg
RAEL 380-1000 TH	SEEL000582	400Vca	1000	Avec	CFR3	10 kg
RAEL 380-1500 TH	SEEL000584	400Vca	1500	Avec	CFR4	12 kg
RAEL 380-2000 TH	SEEL000586	400Vca	2000	Avec	CFR5	15 kg

RAEL – MAIN TECHNICAL SPECIFICATION

INPUT

- 24 VDC +/- 15%
- 230 VAC +/- 15% single-phase
- 400 VAC +/- 15% single-phase
- Frequency for the AC models: 47 to 63 Hz

POWER

- From 500W to 2000W

CONTROL

- ON/OFF bipolar switch on the left hand side
- Models with thermostat: adjustment knob on the left hand side

PROTECTION

- In compliance with maritime rules
- Inaccessibility to live components
- Waterproof and stainless heating resistors
- Connection of cables through cable glands

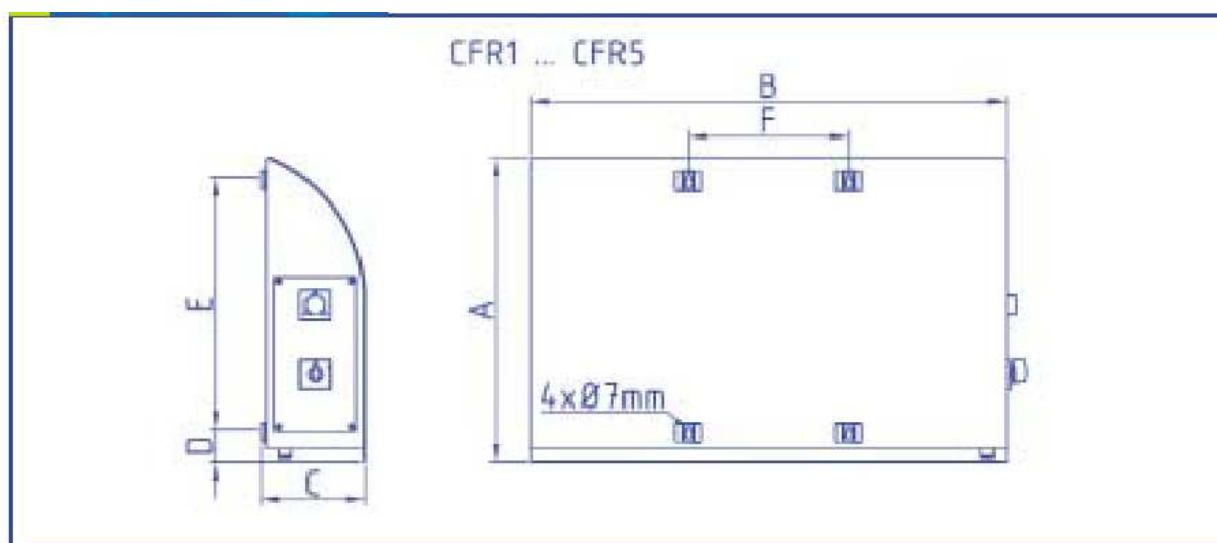
PRESENTATION

- 2 mm steel sheet metal manufacturing
- Shielded heating resistor
- Excellent resistance to shock, vibration and marine environment.
- Protective undercoat
- Paint: Black frame RAL9011 and white front side RAL9001
- Stainless steel screws
- Discretion: its rounded shape allows an easy integration in modern ships

STANDARDS

- Bureau Veritas certified N° 02153

MECHANICAL CHARACTERISTICS



TYPE OF CASE	DIMENSIONS IN MM			CENTRE DISTANCE IN MM		
	A	B	C	D	E	F
CFR1	360	470	160	52	230	250
CFR2	360	580	160	52	230	360
CFR3	360	700	160	52	230	480
CFR4	560	580	160	52	430	360
CFR5	560	700	160	52	430	480