

Marine electric radiators RAEL range

The RAEL range of electric radiators, Bureau Veritas certified, are specially designed for marine applications.

Supplied in 24V DC, 230V or 400V AC single phase, they can be equipped with an adjustable thermostat.



Standard range

Description	Item code	Supply Voltage	Power (W)	Thermo stat	Type of case	Weight
24Vdc Range						
RAEL 24-500	SEEL000572	24Vdc	500	With	CFR1	8 kg
RAEL 24-500 TH	SEEL001021	24Vdc	500	With	CFR1	8 kg
230Vac Single Phase Range						
RAEL 220-500	SEEL000573	230Vac	500	Without	CFR1	8 kg
RAEL 220-500 TH	SEEL000574	230Vac	500	With	CFR1	8 kg
RAEL 220-750	SEEL001006	230Vac	750	Without	CFR2	9 kg
RAEL 220-750 TH	SEEL000836	230Vac	750	With	CFR2	9 kg
RAEL 220-1000	SEEL000575	230Vac	1000	Without	CFR3	10 kg
RAEL 220-1000 TH	SEEL000576	230Vac	1000	With	CFR3	10 kg
RAEL 220-1500	SEEL000577	230Vac	1500	Without	CFR4	12 kg
RAEL 220-1500 TH	SEEL000578	230Vac	1500	With	CFR4	12 kg
RAEL 220-2000	SEEL000579	230Vac	2000	Without	CFR5	15 kg
RAEL 220-2000 TH	SEEL000580	230Vac	2000	With	CFR5	15 kg
400Vac Single Phase Range						
RAEL 380-500	SEEL001020	400Vac	500	Without	CFR1	8 kg
RAEL 380-500 TH	SEEL000837	400Vac	500	With	CFR1	8 kg
RAEL 380-750	SEEL000838	400Vac	750	Without	CFR2	9 kg
RAEL 380-750 TH	SEEL001007	400Vac	750	With	CFR2	9 kg
RAEL 380-1000	SEEL000581	400Vac	1000	Without	CFR3	10 kg
RAEL 380-1000 TH	SEEL000582	400Vac	1000	With	CFR3	10 kg
RAEL 380-1500	SEEL000583	400Vac	1500	Without	CFR4	12 kg
RAEL 380-1500 TH	SEEL000584	400Vac	1500	With	CFR4	12 kg
RAEL 380-2000	SEEL000585	400Vac	2000	Without	CFR5	15 kg
RAEL 380-2000 TH	SEEL000586	400Vac	2000	With	CFR5	15 kg

Main technical specification:

Input specifications :

- Input voltage:
 - 24 VDC +/- 15%
 - 230 VAC +/- 15% single-phase
 - 400 VAC +/- 15% single-phase
- Frequency for the AC models: 47 à 63 Hz

Power:

- From 500W to 2000W

Control:

- ON/OFF bipolar switch on the left hand side.
- Models with thermostat: adjustment knob on the left hand side.

Protection :

- In compliance with maritime rules.
- Inaccessibility to live components
- Waterproof and stainless heating resistors.
- Connection of cables through cable glands.

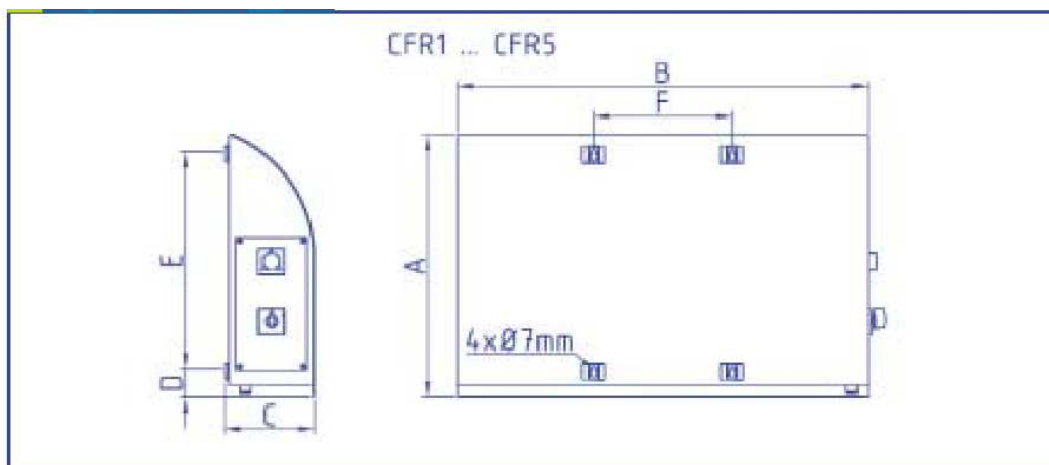
Presentation :

- 2 mm steel sheet metal manufacturing.
- Shielded heating resistor
- Excellent resistance to shock, vibration and marine environment.
- Protective undercoat
- Paint: Black frame RAL9011 and white front side RAL9001.
- Stainless steel screws.
- Discretion: its rounded shape allows an easy integration in modern ships.

Standards:

- Type approved by Bureau Veritas with 02153 certificate number.

Mechanical characteristics:



Type of case	Dimensions in mm			Centres distance in mm		
	A	B	C	D	E	F
CFR1	360	470	160	52	230	250
CFR2	360	580	160	52	230	360
CFR3	360	700	160	52	230	480
CFR4	560	580	160	52	430	360
CFR5	560	700	160	52	430	480

FC-RAEL-EN-E

The information contained in this leaflet is not of a contractual nature. ENAG reserves the right to amend the technical details of its products without advance notice.

ENAG S.A.S. - 31 Rue Marcel Paul - Z.I. Kerdroniou Est - 29000 Quimper – France

Tel : + 33 2 98 55 51 99 – Fax : + 33 2 98 55 51 67 - E-mail : contact@enag.fr – Site : www.enag.fr