

## Portable Railway discharge kit

The DPF discharge kit range is designed especially for discharging high voltage capacitors before maintenance activities in the rail depot.

Advantages:

- Portable (compact and light)
- Simple to use
- Measures voltage level before and after discharge
- Indicates when it's safe to intervene
- Application example: CVS capacitor discharge

This discharge kit assures the security of personnel by alerting to the presence of high voltage and so avoiding risk of shock and /or electrocution

Each discharger is delivered with a set of rods and cables. Three different rod lengths, 300mm (PC), 600mm (PM) and 1000mm (PL) and cables of either 1.5M or 3M are available

To ensure a good electrical contact probes with a very fine tip are also available



## Standard Range

Description	Max voltage	Max capacitance	Case Type
DPF 2200-30mF	2 200 Vcc	30 mF	A
DPF 2200-72mF	2 200 Vcc	72 mF	B
DPF 3500-30mF	3 500 Vcc	30 mF	B
DPF 4600-16mF	4 600 Vcc	16 mF	B

## Technical specification

### Input :

Voltage required to recharge the internal batteries (the unit works off internal batteries for ease of use)

- 90 to 264 VAC single phase
- Frequency : 47 to 63 Hz
- Power consumption : 16 W

### Discharge voltage accepted :

- 2 200 , 3 500 or 4 600 VDC

### Capacitance

- Up to 72 mF

### Features :

- On /off switch
- Internal battery status leds
- Capacitor voltage > 50 VDC → red led.
- Capacitor voltage between 8 and 50VDC → flashing green led
- Capacitor voltage < 8 VDC → fixed green led
- Capacitor voltage present → red led
- Contact zone for auto test (to be carried out before each intervention)

### Protection :

- Fuses

### Description :

- Light weight case with handle
- Input cable for battery charging
- Rods and cables supplied

- When in use, place the case on a dry surface such that the front panel is visible – carry out the auto test

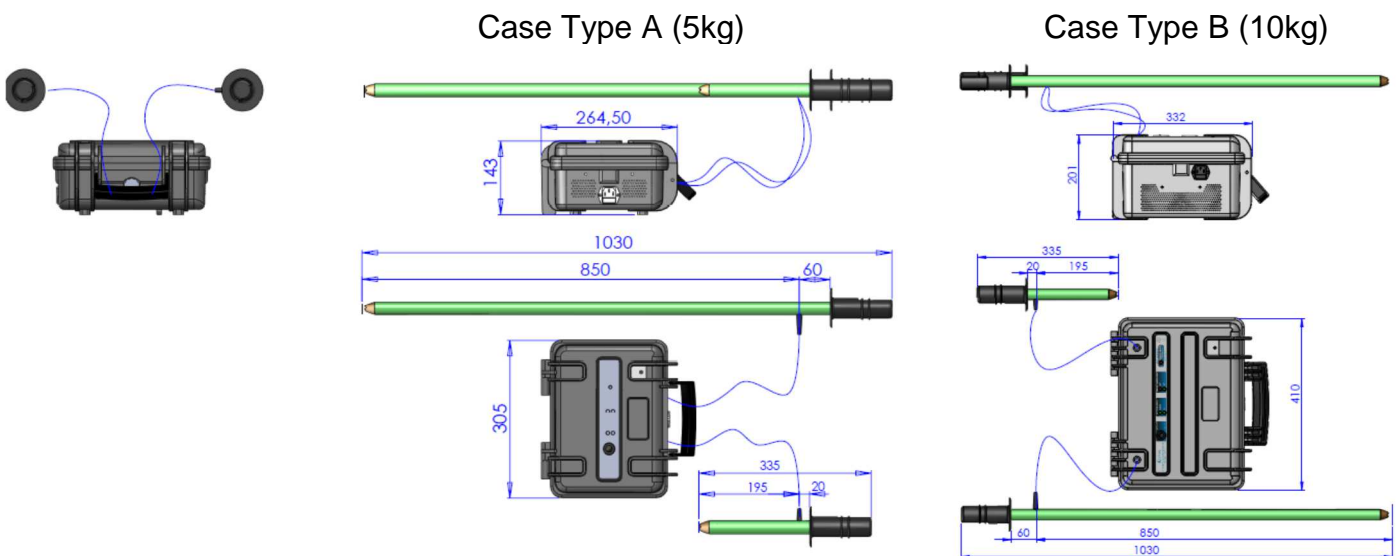
### Climatic conditions:

- Working temperature : -10 to +45°C
- Storage temperature : -20 to 70°C
- Humidity : 0 to 95 % without condensation
- Protection factor : IP30

### Standards :

- CE certificate

## Mechanical dimensions:



FC-DPF-EN-E

Les caractéristiques de cette plaquette commerciale n'ont pas de caractères contractuels, la société ENAG se réservant le droit de les modifier sans préavis.

ENAG S.A.S. - 31 Rue Marcel Paul - Z.I. Kerdroniou Est - 29000 Quimper – France

Tel : + 33 2 98 55 51 99 – Fax : + 33 2 98 55 51 67 - E-mail : [contact@enag.fr](mailto:contact@enag.fr) – Site : [www.enag.fr](http://www.enag.fr)