

## Switch-mode filtered controlled battery chargers - CDTV Range

Using switch-mode technology, compact and lightweight, the CDTV range battery chargers can be associated with any battery technology (recombined sealed lead, open lead, calcium lead, classic lead, nickel cadmium batteries, ...).

They insure the charging and maintenance of the batteries and an adequate current for the outputs.

Using switch-mode technology, they can function as DC power supplies.

Certified by Bureau Veritas, they can be used in numerous applications: marine – offshore military - railway – industry



Bureau Veritas certificate of type approval n° 06352/E0 BV

### Standard range

Description	Item code	Input voltage	Output current (A)	Number of outputs	Dimensions H*L*D (mm)	Weight
CDTV 24/50	SEEL011042	400VAC 3-phases	50	1	490*420*290	17 kg
CDTV 24/60	SEEL011043	400VAC 3-phases	60	1	490*420*290	17 kg
CDTV 24/80	SEEL011044	400VAC 3-phases	80	1	490*420*290	21 kg
CDTV 24/100	SEEL011045	400VAC 3-phases	100	1	490*420*290	22 kg
CDTV 24/120	SEEL011046	400VAC 3-phases	120	1	490*420*290	22 kg
CDTV 24/150	SEEL016765	400VAC 3-phases	150	1	490*420*290	22 kg

## Main technical specification

### Input :

- Voltage : from 340 to 576 Vac three-phase
- Frequency : 47 to 63 Hz
- Other voltages, frequency: upon request.

### Output :

- 24 Vdc – floating voltage: 27,2 Vdc.
- Other voltages: upon request.

### Technology :

- Switch-mode technology.
- Filtered direct current (possible operation as power supply).
- Electronic limitation of the output current.
- Short-circuit possible without any damage to the equipment.
- Designed to reduce interferences reinjected to the mains network.

### Output electrical characteristics :

- Regulation:  $\pm 1\%$  (steady state).
- Residual ripple:  $< 200$  mV.
- Input / Output galvanic insulation.
- Current: see table, others upon request.
- Type of charge: I/U type charge, floating.
- Other charges (Boost, manual clock 0-12H) upon request.
- Factory set for lead batteries (consult us for Ni-Cd).

### Display, control :

- "Power on" indicator.
- Voltmeter and ammeter.
- ON/OFF switch.
- Others upon request: default, emergency stop indicators...

### Protection :

- Input and output by bipolar fuse.
- Against short-circuit and polarity reversal.
- Thermal protection.
- Tropicalisation of the electronic board.
- Equipment designed for resistance to on-board shock and vibration.

### Presentation :

- Metal case – IP 23.
- Connection on terminal blocks.
- Access through cable glands underneath the housing.
- Access from the bottom.
- Polyester finish: color off-white RAL9001.
- Salt atmosphere resistant.
- Access to the components via the front panel.

### Climatic specifications :

- Operating temperature:  $-10$  to  $50^{\circ}\text{C}$ .
- Storage temperature:  $-20$  to  $70^{\circ}\text{C}$ .
- Humidity: from 0 to 95 % without condensation.

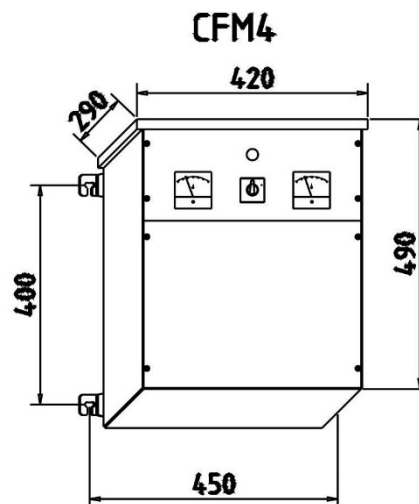
### Options :

- Additional outputs. Voltage threshold control PCB.
- Charge fault PCB. Insulation regulator.
- Dry contacts. Other status indicators.
- For further options, please consult us.

### Standards :

- EC Marking.
- Bureau Veritas certified.

## Mechanical characteristics



FC-CDTV-EN-C

The information contained in this leaflet is not of a contractual nature. ENAG reserves the right to amend the technical details of its products without advance notice.

ENAG S.A.S. - 31 Rue Marcel Paul - Z.I. Kerdroniou Est - 29000 Quimper – France

Tel : + 33 2 98 55 51 99 – Fax : + 33 2 98 55 51 67 - E-mail : [contact@enag.fr](mailto:contact@enag.fr) – Site : [www.enag.fr](http://www.enag.fr)