

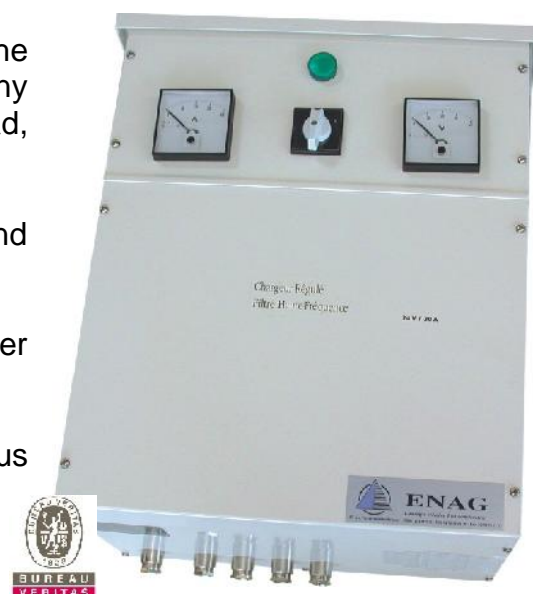
## Switch-mode controlled filtered battery chargers CDMV range

Using switch-mode technology, compact and lightweight, the CDMV range battery chargers can be associated with any battery technology (recombined sealed lead, open lead, calcium lead, classic lead, nickel cadmium batteries, ...).

They insure the charging and maintenance of the batteries and an adequate current for the outputs.

Using switch-mode technology, they can function as DC power supplies.

Certified by Bureau Veritas, they can be used in numerous applications : marine – offshore military - railway – industry...  
Bureau Veritas certificate of type approval n° 06352/E0 BV.



## Standard range

Description	Item code	Output voltage (V)	Output current (A)	Dimensions	Weight
CDMV 24 /16	SEEL002797	24 VDC	16	CFM4	14 Kg
CDMV 24 / 25	SEEL006329	24 VDC	25	CFM4	16 Kg
CDMV 24 /30	SEEL006489	24 VDC	30	CFM4	17 Kg
CDMV 24 / 40	SEEL006330	24 VDC	40	CFM4	17 Kg
CDMV 24 / 50	SEEL002674	24 VDC	50	CFM4	17 Kg
CDMV 24 / 60	SEEL003750	24 VDC	60	CFM4	17 Kg
CDMV 24 / 80	SEEL006331	24 VDC	80	CFM4	21 Kg
CDMV 24 / 100	SEEL006332	24 VDC	100	CFM4	22 Kg
CDMV 24 /120	SEEL006333	24 VDC	120	CFM4	22 Kg

## Main technical specification

### Input :

- Voltage : 230 or 115VAC +/- 10% single-phase
- Frequency : 47 to 63 Hz
- Other voltages, frequency: upon request.

### Output :

- 24 Vdc – floating voltage: 27,2 Vdc.
- Other voltages: upon request.

### Technology :

- Switch-mode technology,
- Filtered direct current (possible operation as power supply).
- Electronic limitation of the output current.
- Short-circuit possible without any damage to the equipment.
- Designed to reduce interferences reinjected to the mains network.

### Output electrical characteristics :

- Regulation:  $\pm 1$  % (steady state).
- Residual ripple: < 200 mV.
- Input / Output galvanic insulation.
- Current: see table, others upon request.
- Type of charge: I/U type charge, floating.
- Other charges (Boost, manual clock 0-12H) upon request.
- Factory set for lead batteries (consult us for Ni-Cd).

### Display, control :

- "Power on" indicator.
- Voltmeter and ammeter.
- ON/OFF switch.
- Others upon request: default, emergency stop indicators...

### Protection :

- Input and output by bipolar fuse.
- Against short-circuit and polarity reversal.
- Thermal protection.
- Tropicalisation of the electronic board.
- Equipment designed for resistance to on-board shock and vibration.

### Presentation :

- Metal case – IP 23.
- Connection on terminal blocks.
- Access through cable glands underneath the housing.
- Polyester finish: color off-white RAL9001.
- Salt atmosphere resistant.
- Access to the components via the front panel.

### Climatic specifications :

- Operating temperature: -10 to 50°C.
- Storage temperature: -20 to 70°C.
- Humidity: from 0 to 95 % without condensation.

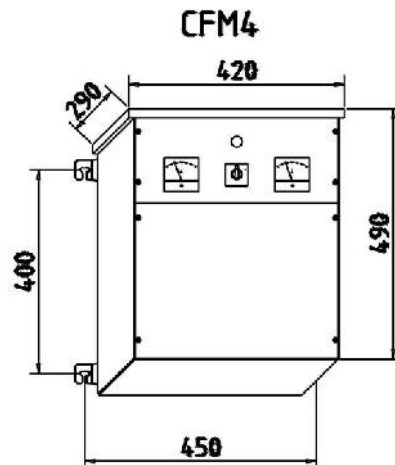
### Options :

- Additional outputs. Voltage threshold control PCB.
- Charge fault PCB. Insulation regulator.
- Dry contacts. Other status indicators.
- Other protection rate.
- Other options: please consult us.

### Standards :

- EC Marking.
- Bureau Veritas certified.

## Mechanical characteristics



FC-CDMV-EN-D

The information contained in this leaflet is not of a contractual nature. ENAG reserves the right to amend the technical details of its products without advance notice.

ENAG S.A.S. - 31 Rue Marcel Paul - Z.I. Kerdroniou Est - 29000 Quimper – France  
Tel : + 33 2 98 55 51 99 – Fax : + 33 2 98 55 51 67 - E-mail : [contact@enag.fr](mailto:contact@enag.fr) – Site : [www.enag.fr](http://www.enag.fr)